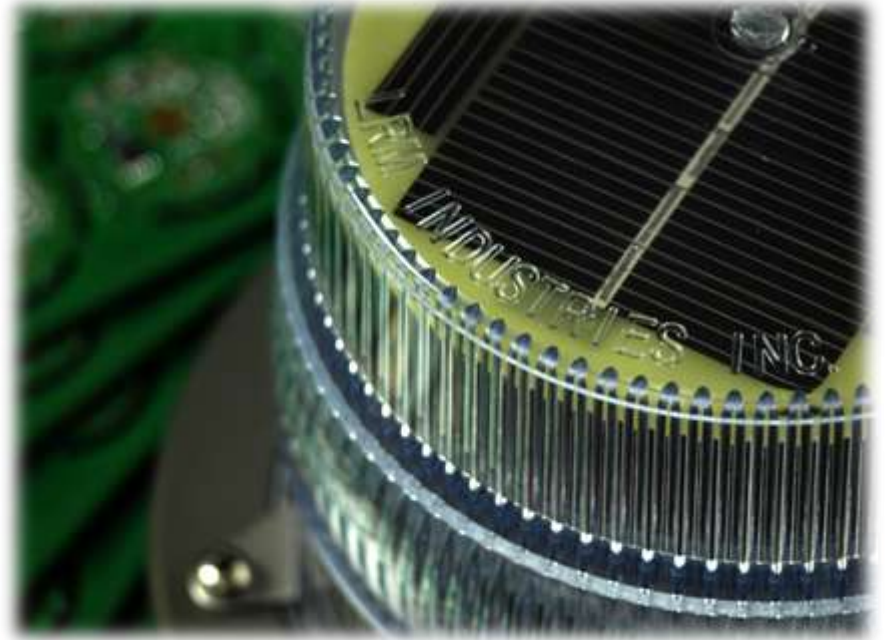


3 Nautical Mile Marine Lantern

LRM presents an industry first. A compact self contained solar powered lantern designed not only to be serviceable but fully upgradable. Built on a durable triple hardcoat anodized aluminum base the LRM T83e leaves its competition behind. Compact, efficient, and durable makes this lantern one that will go the distance.



THE T83e ADVANTAGE

- Fully serviceable/upgradeable
- Proven reliability with outstanding performance
- Easy installation - just bolt lantern down
- Lightweight design - fits on small buoys
- Proprietary optics produce best in class beam quality
- Optional GPS Synchronization
- Enhanced marine safety at minimal cost

Ordering Information

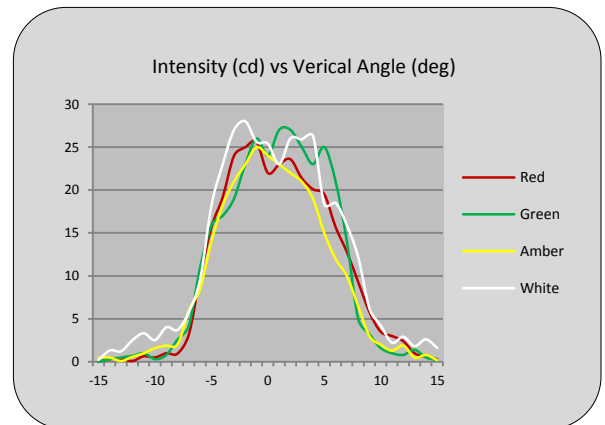
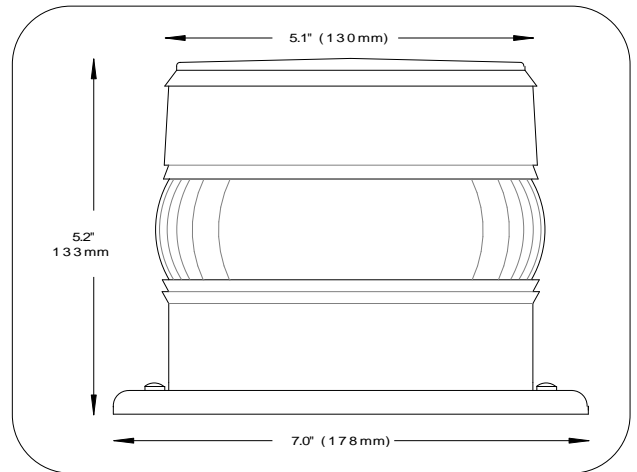
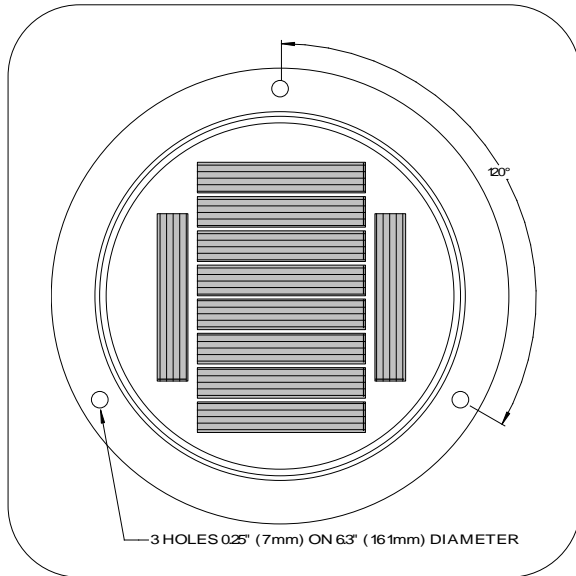
	T83A - xxxFC	Amber Lantern	(xxx = flash code)
	T83R - xxxFC	Red Lantern	(xxx = flash code)
	T83G - xxxFC	Green Lantern	(xxx = flash code)
	T83W - xxxFC	White Lantern	(xxx = flash code)
	T83B - xxxFC	Blue Lantern	(xxx = flash code)

Accessories

PGM256e Programmer	Universal Flash Code Programmer
T83 - BD	Stainless Steel Bird Deterrent
T83 - 10KB	Replacement Battery Pack
T8x - GPS	GPS Sync Module

This equipment complies with requirements of the U.S. Coast Guard in 33 CFR part 66.

Marine Lantern



FOR MORE INFORMATION CONTACT:

SPECIFICATIONS

Colors: Amber, Red, Green, White, and Blue

Flash Patterns: 255 IALA flash patterns or user defined pattern

Light Source: 10 elliptically focused high intensity LEDs

Optical Rating: 15 candela minimum / 10 degrees vertical divergence

Expected Service Life: 25 years (Battery replacement every 5 years)

Materials: UV-Stabilized Lexan® Polycarbonate, Hardcoat Anodized T6061 Aluminum, 18-8 Stainless hardware

Temperature Range: -25° to +70° Celsius (-15° to 150° Fahrenheit)

Physical: 1.29Kg (2.14 lb), IP68 rated

Warranty: Full 5 years